

Features

- Innovative design simplifies installation to save time and money
- Unique thumb spring retainer allows for ease of positioning on bar joist
- Snap-off bolt head helps enable easy installation and inspection of seismic sway braces

Product Listings

- Meets NFPA®-13 requirements for seismic sway bracing



- Exceeds 10" (250 mm) UL load rating in all directions

Products are UL® Listed and meet NFPA requirements for seismic applications!



Bar Joist Adaptor in longitudinal bracing application with Easy Universal Sway Brace.



Bar Joist Adaptor in lateral bracing application with Quick Grip Jr.

Installation is easy...



Step 1: Pull back thumb spring and select spot on bar joist to mount adaptor.

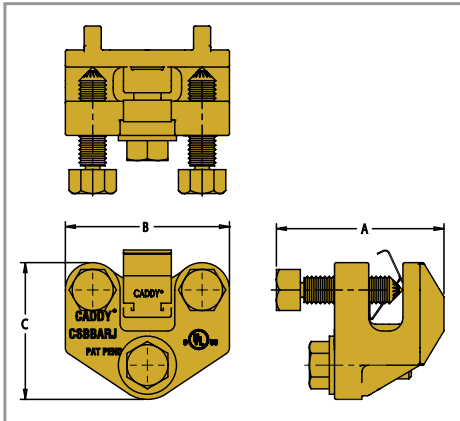


Step 2: Release thumb spring, allowing it to grip bar joist. Finger tighten the bolts to keep adaptor firmly in place.



Step 3: Tighten bolts until bolt heads shear off.





- For use in lateral and longitudinal sway bracing applications
- Standard electro-galvanized finish provides superior corrosion protection
- Hot-dipped galvanized finish is also available as special order

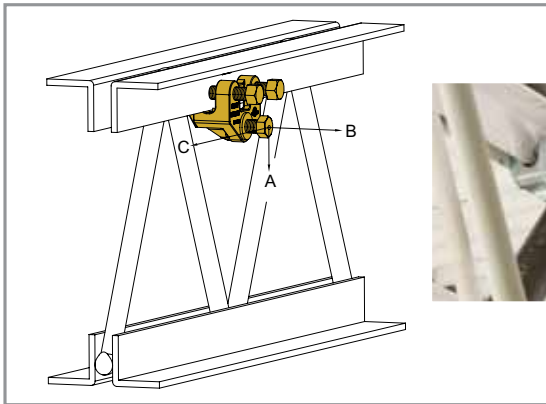


Fig. 1

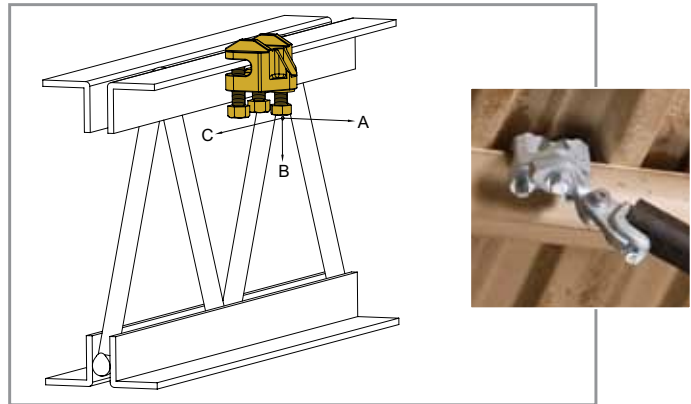


Fig. 2

Specifications

Part Number	Description	Fig. 1		Fig. 2		Flange Thickness in (mm)	A in (mm)	B in (mm)	C in (mm)
		UL Listed Load Directions A/B lbs (N)	UL Listed Load Direction C lbs (N)	UL Listed Load Direction A/B lbs (N)	UL Listed Load Direction C lbs (N)				
CSBBARJEG	Bar Joist Adaptor EG	3,740 (16,636)	3,000 (13,344)	3,740 (16,636)	3,000 (13,344)	1/4 - 1/2 (6.4 - 15.9)	2 (50.8)	3 (76.2)	2-1/2 (63.5)

UL is a registered trademark of Underwriters Laboratories, Inc. NFPA is a registered trademark of the National Fire Protection Association.

WARNING
 ERICO products shall be installed and used only as indicated in ERICO's product instruction sheets and training materials. Instruction sheets are available at www.erico.com and from your ERICO customer service representative. Improper installation, misuse, misapplication or other failure to completely follow ERICO's instructions and warnings may cause product malfunction, property damage, serious bodily injury and death.

Copyright ©2009 ERICO International Corporation. All rights reserved.
 CADDY, CADWELD, CRITEC, ERICO, ERIFLEX, ERITECH, and LENTON are registered trademarks of ERICO International Corporation.