

Features

- Innovative design simplifies installation to save time and money
- Easy two-step install eliminates extra trips up and down the ladder
- Clamps slip easily over both sprinkler and brace pipes
- One product works with both 1" and 1-1/4" brace pipes to reduce inventory
- For use in lateral sway bracing applications
- Standard electro-galvanized finish provides superior corrosion protection
- Hot-dipped galvanized finish is also available as special order

Product Listings

- Meets NFPA®-13 requirements for seismic sway bracing



- UL® Listed for Schedule 7, Schedule 10 and Schedule 40 service pipe



Products are
**UL® Listed and meet
NFPA requirements for
seismic applications!**

The Quick Grip Lateral Sway Brace from ERICO® is the latest innovation designed to simplify installations when bracing service pipe for seismic or other catastrophic events. It fits easily around the service pipe for quick attachment to the brace pipe.

Yellow tips on the Quick Grip Lateral Sway Brace (4" - 8" or 100 - 200 mm size) provide a visual indicator that the product has been properly installed. Similarly, the Quick Grip Jr. Sway Brace (1" - 4" or 25 - 100 mm size) is properly installed when the bolt heads have sheared off.

Installation is easy...



Quick Grip Jr.



Quick Grip

Step 1:

Once brace pipe has been attached to structural attachment, simply raise the Quick Grip or Quick Grip Jr. into place, hooking both claws around the brace pipe.



Quick Grip Jr.

Step 2:

Tighten bolts until bolt heads shear off.



Quick Grip

Step 2:

Tighten bolts. Product is properly installed when there is no yellow visible on the tips of the claw.

Fig. 1 Quick Grip Jr.

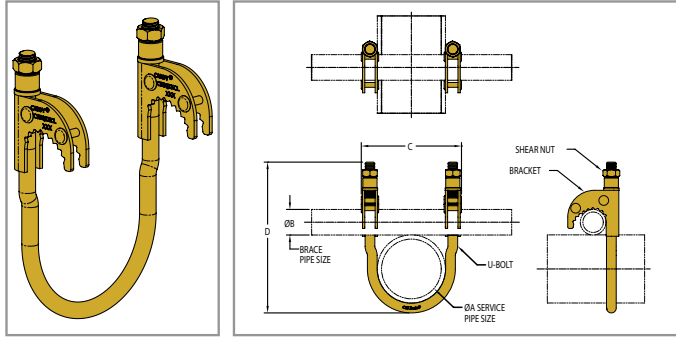
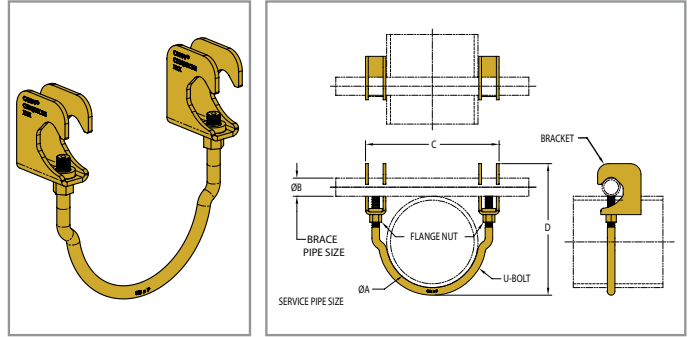


Fig. 2 Quick Grip



Quick Grip Jr. Lateral Sway Brace

Part Number	Description	Fig.	A - Service Pipe Size in (mm)	B - Brace Pipe Size in (mm)	UL Listed Load SCH 7 Lateral Bracing lbs (N)	UL Listed Load SCH 10/40 Lateral Bracing lbs (N)	C (in)	D (in)
CSBQIKCL0100EG	1" (25 mm) LATERAL SWAY BRACE EG	1	1 (25)	1 (25.4) / 1-1/4 (31.8)	NA / NA	655 (2,913) / 540 (2,402)	2-5/8 (65.3)	5-1/8 (130.2)
CSBQIKCL0125EG	1-1/4" (32 mm) LATERAL SWAY BRACE EG	1	1-1/4 (32)	1 (25.4) / 1-1/4 (31.8)	655 (2,913) / 540 (2,402)	655 (2,913) / 540 (2,402)	3 (74.1)	5-3/8 (136.5)
CSBQIKCL0150EG	1-1/2" (40 mm) LATERAL SWAY BRACE EG	1	1-1/2 (40)	1 (25.4) / 1-1/4 (31.8)	655 (2,913) / 540 (2,402)	655 (2,913) / 540 (2,402)	3-1/4 (80.2)	5-5/8 (142.9)
CSBQIKCL0200EG	2" (50 mm) LATERAL SWAY BRACE EG	1	2 (50)	1 (25.4) / 1-1/4 (31.8)	655 (2,913) / 540 (2,402)	655 (2,913) / 655 (2,913)	3-5/8 (92.3)	6-3/8 (161.9)
CSBQIKCL0250EG	2-1/2" (65 mm) LATERAL SWAY BRACE EG	1	2-1/2 (65)	1 (25.4) / 1-1/4 (31.8)	655 (2,913) / 655 (2,913)	655 (2,913) / 655 (2,913)	4-3/8 (110.7)	7 (177.8)
CSBQIKCL0300EG	3" (80 mm) LATERAL SWAY BRACE EG	1	3 (80)	1 or 1-1/4 (25.4 or 31.8)	655 (2,913)	655 (2,913)	5 (126.6)	7-3/4 (196.9)
CSBQIKCL0350EG	3-1/2" (90 mm) LATERAL SWAY BRACE EG	1	3-1/2 (90)	1 or 1-1/4 (25.4 or 31.8)	655 (2,913)	655 (2,913)	5-1/2 (139.3)	8-1/4 (209.6)
CSBQIKCL0400EG	4" (100 mm) LATERAL SWAY BRACE EG	1	4 (100)	1 or 1-1/4 (25.4 or 31.8)	655 (2,913)	655 (2,913)	6 (152.0)	8-3/4 (222.3)

Quick Grip Lateral Sway Brace

Part Number	Description	Fig.	A - Service Pipe Size in (mm)	B - Brace Pipe Size in (mm)	UL Listed Load SCH 7 Lateral Bracing lbs (N)	UL Listed Load SCH 10/40 Lateral Bracing lbs (N)	C (in)	1" brace pipe D (in)	1 1/4" brace pipe D (in)
CSBQIKCSE0400EG	4" (101.6 mm) LATERAL SWAY BRACE EG	2	4 (100)	1 or 1-1/4 (25.4 or 31.8)	2,015 (8,963)	2,015 (8,963)	7-1/2 (191.5)	7-1/2 (189.7)	7-3/4 (199.0)
CSBQIKCSE0500EG	5" (127 mm) LATERAL SWAY BRACE EG	2	5 (125)	1 or 1-1/4 (25.4 or 31.8)	N/A	2,015 (8,963)	8-5/8 (218.6)	8-1/2 (216.7)	9 (225.9)
CSBQIKCSE0600EG	6" (152.4 mm) LATERAL SWAY BRACE EG	2	6 (150)	1 or 1-1/4 (25.4 or 31.8)	2,015 (8,963)	2,015 (8,963)	9-3/4 (246.0)	9-5/8 (243.8)	10 (253.1)
CSBQIKCSE0800EG	8" (203.2 mm) LATERAL SWAY BRACE EG	2	8 (200)	1 or 1-1/4 (25.4 or 31.8)	2,015 (8,963)	2,015 (8,963)	11-5/8 (295.4)	11-1/2 (292.9)	12 (302.1)

UL is a registered trademark of Underwriters Laboratories, Inc. NFPA is a registered trademark of the National Fire Protection Association.

WARNING
 ERICO products shall be installed and used only as indicated in ERICO's product instruction sheets and training materials. Instruction sheets are available at www.erico.com and from your ERICO customer service representative. Improper installation, misuse, misapplication or other failure to completely follow ERICO's instructions and warnings may cause product malfunction, property damage, serious bodily injury and death.

Copyright ©2009 ERICO International Corporation. All rights reserved.
 CADDY, CADWELD, CRITEC, ERICO, ERIFLEX, ERITECH, and LENTON are registered trademarks of ERICO International Corporation.