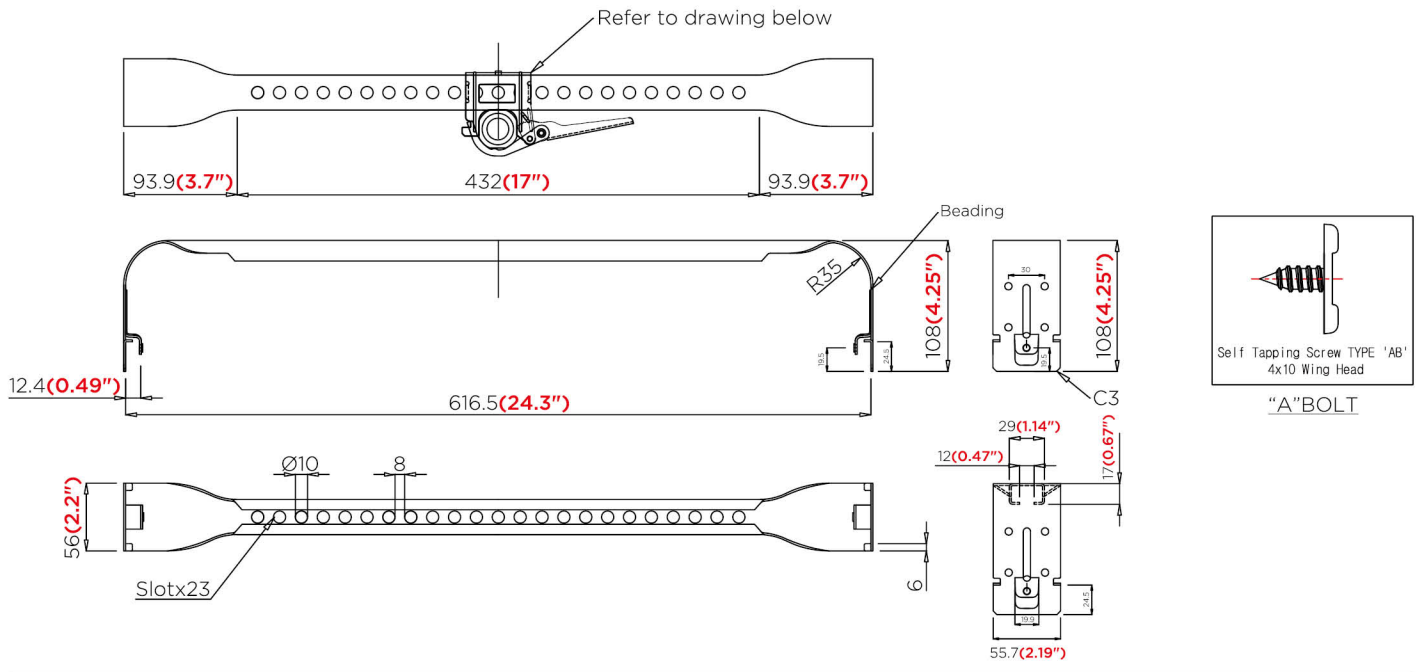
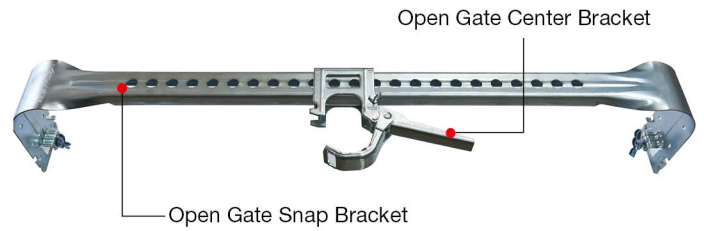


Open Gate Snap Bracket | **OGSB-02**

Scale	NS
Material	ASTM A-366
Tolerance	2.0mm, ±0.05
Spec.	Zinc Plate
Coating durability	No indication of peeling
Anti-Corrosion	No indication of corrosion with salt spray test



Open Gate Center Bracket | **OSSB**

Scale	NS
Material	ASTM A-526
Tolerance	±0.3
Thickness	2.0mm, ±0.05
Spec.	Zinc Plate
Coating durability	No indication of peeling
Anti-Corrosion	No indication of corrosion with salt spray test

