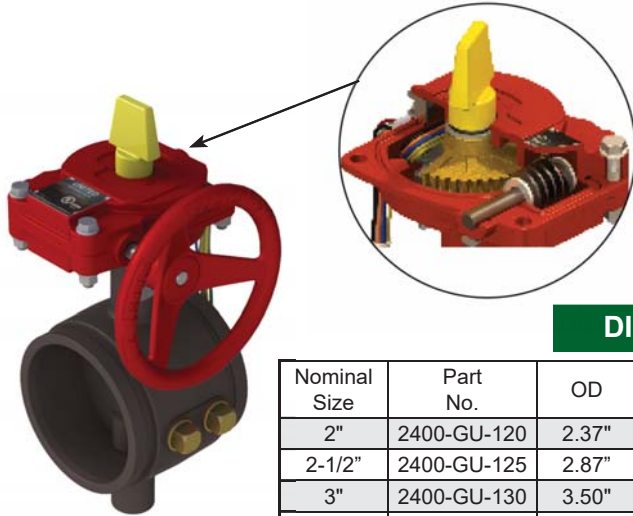


GROOVED BUTTERFLY VALVE

Model 2400-G

Manually Gear Operated with Tamper Switch

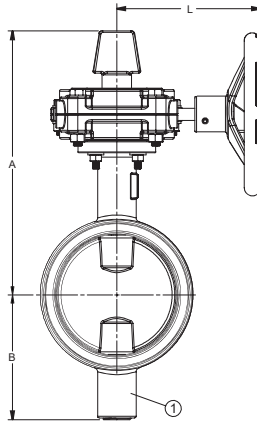
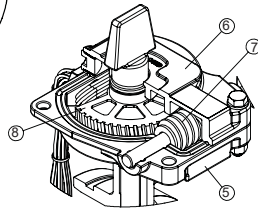
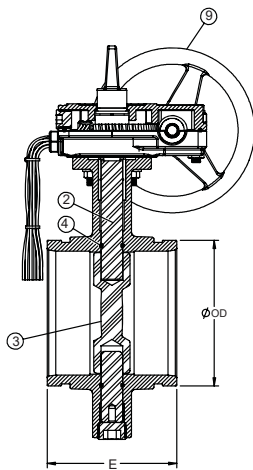


Description:

1. Grooved ends comply with AWWA C606 for metallic pipe of IPS dimensions.
2. Body of valve shall be of high strength ductile iron ASTM A536, Grade 65-45-12.
3. Fusion Bond Epoxy Coated Interior and Exterior, AWWA C550. Epoxy Powder Certified to NSF-61.
4. Valves shall be equipped with hand wheels indicating the direction for opening.
5. Operating Shaft shall be Stainless Steel.
6. Underwriters Laboratories Rated Working Pressure: 2" -12": 300 psi

DIMENSIONS

Nominal Size	Part No.	OD	A	B	E	L	Tap Size
2"	2400-GU-120	2.37"	7.76"	2.56"	3.19"	5.94"	3/4-14NPT
2-1/2"	2400-GU-125	2.87"	8.28"	2.80"	3.82"	5.94"	3/4-14NPT
3"	2400-GU-130	3.50"	8.54"	3.19"	3.82"	5.94"	3/4-14NPT
4"	2400-GU-140	4.50"	9.29"	3.74"	4.57"	5.94"	3/4-14NPT
6"	2400-GU-160	6.63"	10.28"	5.24"	5.83"	5.94"	3/4-14NPT
8"	2400-GU-180	8.63"	12.01"	6.46"	5.24"	8.78"	3/4-14NPT
10"	2400-GU-200	10.75"	13.27"	7.72"	6.26"	8.78"	3/4-14NPT
12"	2400-GU-220	12.75"	14.76"	8.90"	6.50"	8.82"	3/4-14NPT



LIST OF MATERIALS

Item No.	Description	Material/Specification
1	Body	Ductile Iron ASTM A536 65-45-12
2	Shaft	Stainless Steel, AISI 431
3	Disc	Ductile Iron (EPDM Coated)
4	O-ring	EPDM
5	Housing	Ductile Iron ASTM A536 65-45-12
6	Cover	Cast Iron ASTM A126 Class B
7	Worm	Steel AISI 1045
8	Worm Gear	Ductile Iron ASTM A536 65-45-12
9	Handwheel	Ductile Iron ASTM A536 65-45-12

Design and materials are subject to change without notice.

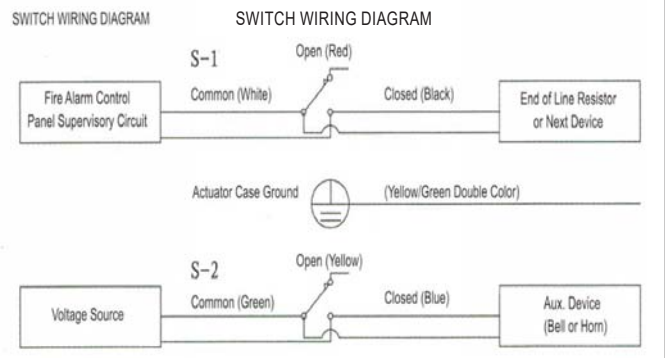
Supervisory Feature:

The supervisor feature includes two, single pole double throw (SPDT) switches. The switches are intended for use with two electrical devices, such as a fire alarm control panel and an auxiliary alerting device.

Rating: AC 1500W, DC 90W
AC 6A 250VAC, DC 3A 30VDC

Wiring: Switch 1 (S1) Switch 2 (S2)
White - Common Green - Common
Red - Normally Open Yellow - Normally Open
Black - Normally Closed Blue - Normally Closed

Yellow/Green - Ground



NAPAC, Inc.

229 Southbridge Street, Worcester, MA 01608

Tel: (800) 807-2215 Fax: (800) 807-2214 www.napacinc.com Email: sales@napacinc.com