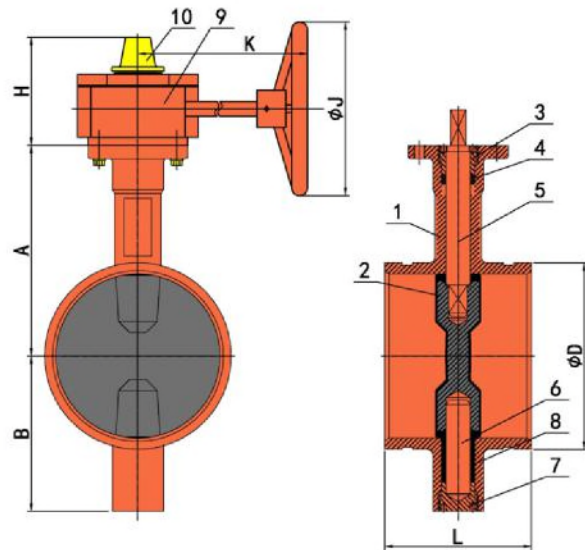


241G•ZSXF-D Grooved-Type Butterfly Valve

VISION



Characteristic

- Internal Two Micro-switches
- External Indicator
- UL/FM Approved pressure:21bar(300psi)
- Wafer-type
- Epoxy coating
- Size: DN65-300mm(2-1/2"-12")

Material List

No	Part Name	Material
1	Body	Ductile Iron ASTM A536
2	Disc	Ductile Iron for Disc, EPDM Encapsulated
3	Upper Shaft Sealing Nut	WCB Carbon steel ASTM A216
4	Shaft seal	EPDM ASTM D200
5	Upper Shaft	Y1Cr13
6	Lower Shaft	Y1Cr13
7	Lower Shaft Sealing Nut	WCB Carbon Steel ASTM A216
8	Bearing Encapsulated material	PTFE
9	Signal Gear box	Ductile Iron ASTM A536

Size	Working Pressure	A	B	D	H	K	J	L
mm / in	Bar / Psi	mm / in	mm / in	mm / in	mm / in	mm / in	mm / in	mm / in
65	21	125	95	76.1	111	218	152	96.4
2 1/2	300	4.92	3.74	3.00	4.37	8.58	5.98	3.80
80	21	140	100	88.9	111	218	152	97.0
3	300	5.51	3.94	3.50	4.37	8.58	5.98	3.82
100	21	160	100	114.3	111	218	152	115.1
4	300	6.30	3.94	4.50	4.37	8.58	5.98	4.53
125	21	170	125	141.3	111	218	152	132.4
5	300	6.69	4.92	5.56	4.37	8.58	5.98	5.21
150	21	190	140	168.3	111	218	200	132.4
6	300	7.48	5.51	6.63	4.37	8.58	7.87	5.21
200	21	230	175	219.1	126	232	300	147.4
8	300	9.06	6.89	8.63	4.96	9.13	11.81	5.80
250	21	260	200	273.0	126	232	300	159.0
10	300	10.24	7.87	10.75	4.96	9.13	11.81	6.26
300	21	300	240	323.9	161	232	350	165.0
12	300	11.81	9.45	12.75	6.34	9.13	13.78	6.50



VISION